

HANECO LIGHTING LED INSTALLATION GUIDE

SQUARE 17X15MM 120°

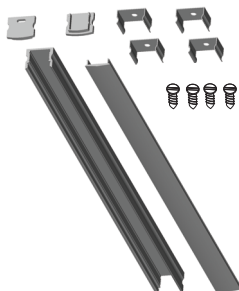
PRODUCT CODE: PARALLAX17X15SQ1M / PARALLAX17X15SQ2M

Product should be installed by a qualified electrician.

Prior to installation ensure power is off at fuse box to prevent electrical shock.

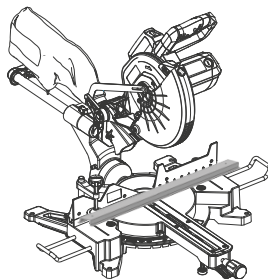
Contents

Accessories shown as required per 2m install
(2 clips and 2 screws for 1m)



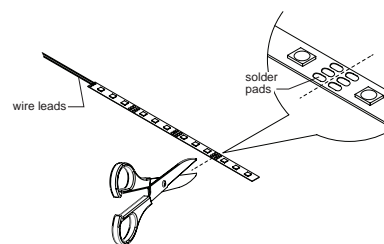
1

Cut to required length
For best results it is recommended to use a good quality mitre saw with a carbon tipped negative rake blade with 70-100 teeth.
Always use safety goggles when cutting.



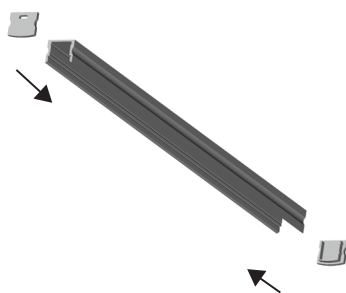
2

Cut LED strip to suit
Cut down the line of the LED strip in between two rows of solder pads. Always cut line LED from end without connector / wire leads.
Ensure that the strip fits completely inside the extrusion.



3

Insert end caps



4

Clean inner surface with isopropyl alcohol.



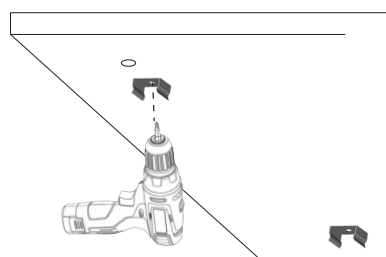
5

Attach LED strip in centre of profile.
Wire as shown in LED strip instructions.



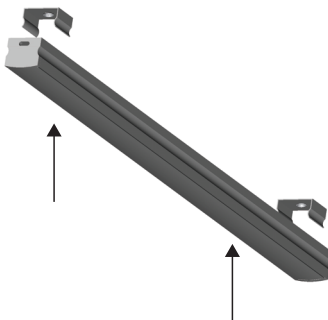
6

Fasten clips to ceiling



7

Clip profile to surface.



8

Insert diffuser

