



ESODO EDGE 40m

Emergency Exit Signs



Extra large architectural slimline.

ESODO EDGE 40M is a super slim yet extra large LED emergency EXIT sign for surface mount installation. With its blade style and slick edge-lit design, it provides safety in large scale high-end architectural applications, where 24m viewing distance isn't enough.

Features

- 40m viewing distance
- Super slim design
- 5-in-1 surface mount fitting
- More than 1.5 hours discharge time
- LiFePO4 battery compliant with AS2293.3
- Replaceable decals supplied

Benefits

- Suitable for extra large applications
- Pleasing aesthetics
- Unlimited flexibility and installer friendliness
- Ensured and guaranteed safety
- Peace of mind for the end user
- The correct sign for every application



Product Overview

POWER (Standby)	POWER (Charging)	DISCHARGE TIME	RECHARGE TIME	EMERGENCY CLASSIFICATION	SAP CODE	PRODUCT CODE
1.5W	2.0 - 3.7W	2 hours	16 hours	C0: D8 C90: D10	2002192	ESD40M-SM

40M = 40m viewing distance **SM** = Surface Mount

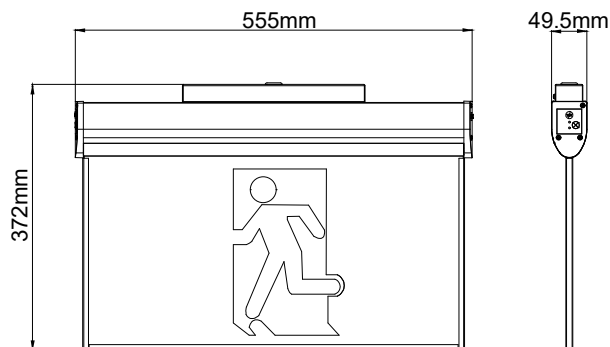
SPECIFICATIONS	
Viewing Distance:	40m
Type:	Maintained
Body Material:	SPCC
Housing Colour:	White
IP Rating:	IP20
AS/NZS Standards:	60598 / 2293.3
Warranty:	5yr 1yr (battery)
Driver:	Integral
Power Connection:	Screw Terminals
Input:	220-240V, 50/60Hz
Electrical Classification:	Class 1
Battery Type:	LiFePO4 3.2V 3300mAh
Charger Operation:	Continuous
Battery Test Button:	Manual
Lifespan:	>50,000hrs @Ta25°C (L70)
Operating Ambient Temperature:	0 to 40°C

APPLICATIONS
Schools
Hotels
Retail
Galleries
Exhibition Centres
Factories
Car Parks

ACCESSORIES
Replaceable Pictogram Set: (Supplied with Product)
Exit 
Exit Right 
Exit Left 

Exit and Emergency

DIMENSIONS



FIND OUT MORE:

