

# HANECO LED FLOODLIGHT INSTALLATION GUIDE

## STAX<sup>G4</sup>

Thanks for choosing our STAX<sup>G4</sup> LED Floodlight products.  
We strongly recommend that you read this manual carefully before installation.

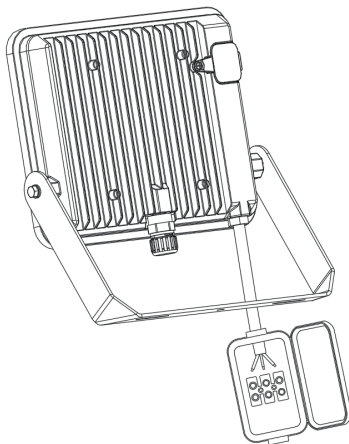
### WARNING

The luminaire must be installed by professional electrician. Switch power off when wiring the luminaire. Ensure input voltage conforms to the voltage range of product. Ensure wires are securely connected. Before switching on, ensure that all the wiring is correct. The warranty is void if product is not installed according to the instructions.  
The external flexible cable or cord of this luminaire cannot be replaced; if the cord is damaged, the luminaire shall be destroyed.  
The light source of this luminaire is not replaceable; when the light source reaches its end of life the whole luminaire shall be replaced.

MODEL	POWER	Color temperature	Efficacy (lm/w)	CRI	SDCM	Ambient temperature	Dimension (mm)
STAX30WG4	15/30W	3/4/5000K	120lm/w @4000k	>80	<5	-20 to 45°C	155*124*30
STAX50WG4	30/50W	3/4/5000K	120lm/w @4000k	>80	<5	-20 to 45°C	210*168*30
STAX100WG4	75/100W	3/4/5000K	120lm/w @4000k	>80	<5	-20 to 45°C	275*220*35

MODEL	Weight (kg)	Max. Mounting height (m)	Max. Projected area (m <sup>2</sup> )
STAX30WG4	0.71	5	0.024
STAX50WG4	1.15	5	0.040
STAX100WG4	1.85	5	0.066

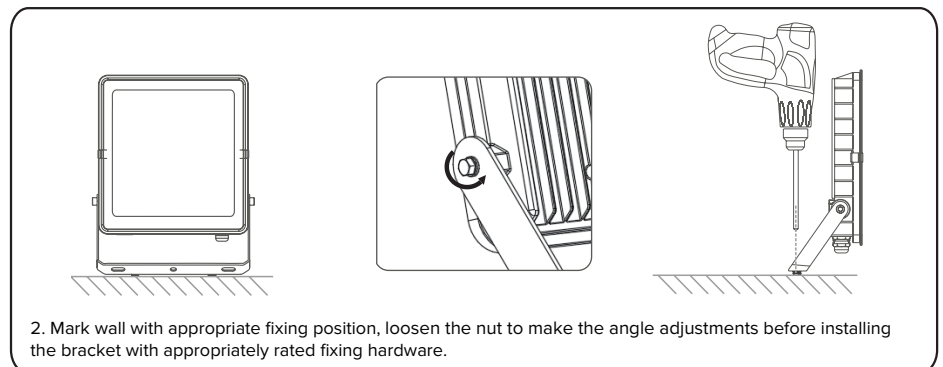
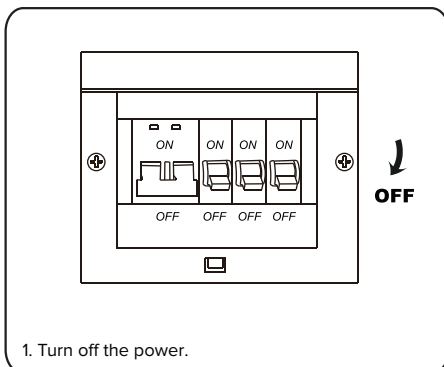
VOLTAGE/FREQUENCY 220-240Vac,50/60Hz



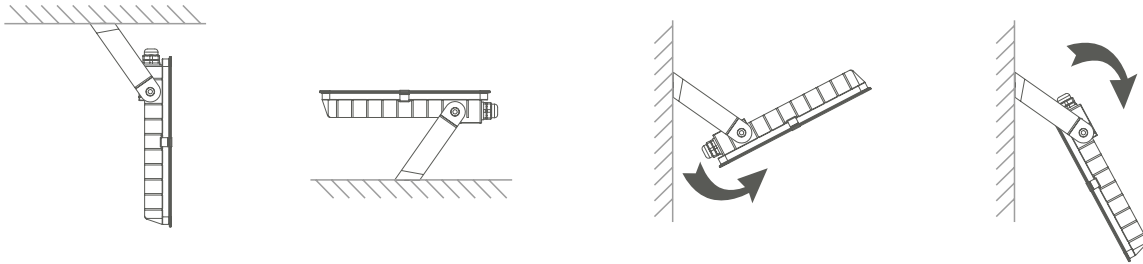
**IP66 Junction Box**  
\*No supplied with product

The terminal block should be complying with AS/NZS60998-2-1/IEC60998

### Installation Instructions

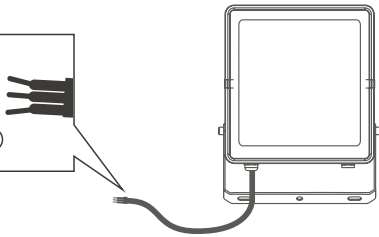


## STAX<sup>G4</sup>

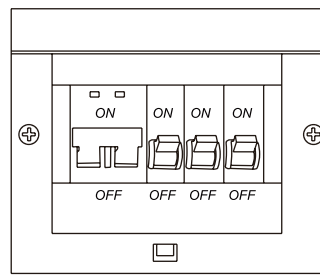


3. Adjust luminaire to the desired angle then tighten the nut to secure the angle.

Brown: L  
Blue: N  
Yellow & Green: ⊕



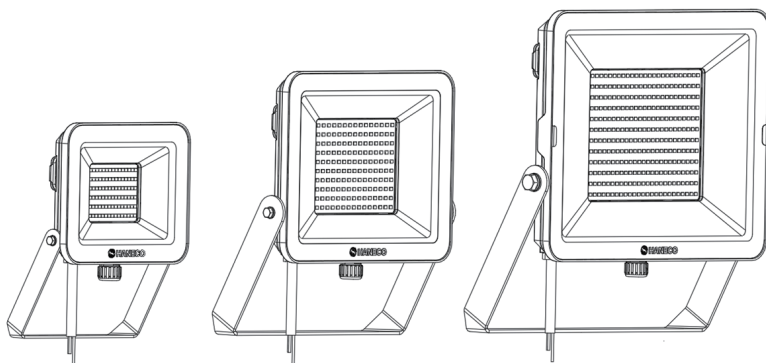
4. Connect luminaire to 240V main supply as per diagram.



5. Turn on the power.

### ⚠ IMPORTANT

POWER selections MUST NOT be changed whilst the product is energised



CCT	Power	
	3000K	15W
* 4000K	30W	* 50W
5000K	75W	*100W

\*Default Settings

