



DUO^{G2}

DUO350WG2

SAP CODE: 2002378

Phase-Cut (Trailing Edge) LED Dimming Switch

The DUO Dimming Switch is designed to ensure trouble free dimming with Haneco lights.

Accessories



DUOG2-KNOB-WH
SAP CODE: 2002363
White Dimmer Knob For DUO
G2 LED Dimming Switch

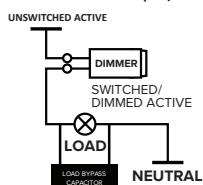


DUOG2-KNOB-BK
SAP CODE: 2002364
Black Dimmer Knob For DUO
G2 LED Dimming Switch

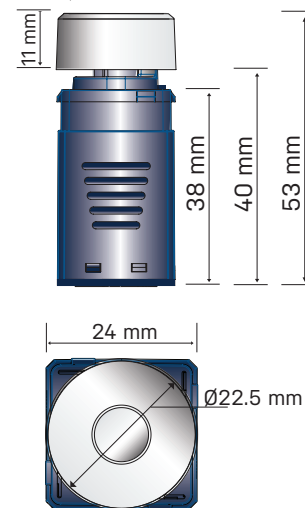
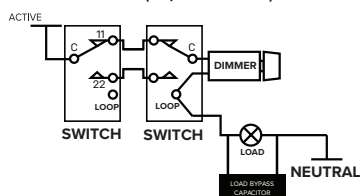


LCC25UF
SAP CODE: 2001210
Load Correction Capacitor
0.33uF/305Vac Capacitance
Value

ONE WAY DIMMING (ON/OFF ENABLED)



TWO WAY DIMMING (ON/OFF DISABLED)



QUICK FACTS

- Trailing edge dimmer suitable for compatible Haneco fittings
- Maximum load 350W (e.g. over twenty LED downlights)
- Compatible with standard wall plates and apertures
- Easy adjustment of minimum or maximum dimming
- Integrated switch and dimmer knob
- On/off switch can be disabled
- Easy to locate in the dark with subtle blue backlighting
- Simple 2 wire design for easy installation
- Smooth dimming to off over 30 mins
- Smooth dimming to maximum brightness over 30 mins

DERATING LEVELS

Multigang Derating	Max Load (at 25 °C)	Min Load (at 50 °C)
1	350 W	175 W
2	300 W	150 W
3	250 W	125 W
4	200 W	100 W

SPECIFICATIONS

Dimming Method	Phase-Cut Dimming (TE)
Supply Voltage	220-240 V, 50 / 60 Hz
Max. Load Wattage	350 W
Dimming Range	2 % to 100 %
Operating Ambient Temp.	0 to 50 °C
Thermal Derating	25 to 50 °C
Weight	25 g
On/Off Enable	Push Button (1 Clicks)
Dim Down Over 30 Mins	Push Button (3 Clicks)
Dim Up Over 30 Mins	Push Button (4 Clicks)
Enter Setup Mode	Push Button (Long Press 2 Secs)
Enable/Disable Backlight	Push Button (2 Clicks)
Enable/Disable Switch*	Push Button (3 Clicks)
Set Minimum Brightness/Cancel	Push Button (4 Clicks)
Set Maximum Brightness/Cancel	Push Button (5 Clicks)
Maximum Compatibility	Push Button (6 Clicks)
Optimised Dimming	Push Button (7 Clicks)
Ready to Factory Settings	Push Button (9 Clicks)
Overcurrent Protection	Yes
Overvoltage Protection	Yes
Overtemperature Protection	Yes
Noise Immunity	Yes
Retain Dimmer Setting	Yes
Mechanical Stop (set min/max brightness)	Yes
Connection Type	110mm Flying Leads
Housing	Acrylic
Connection Insulation	PVC
Warranty	3 yrs