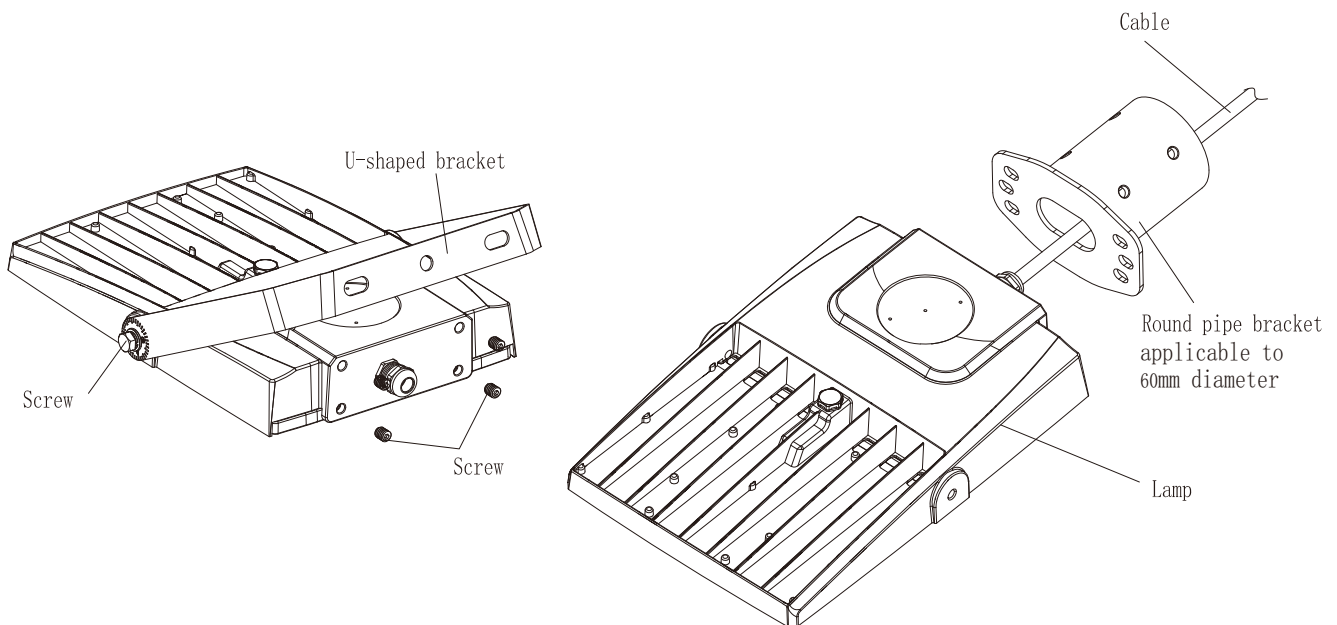


# Installation instructions for pole mounted brackets

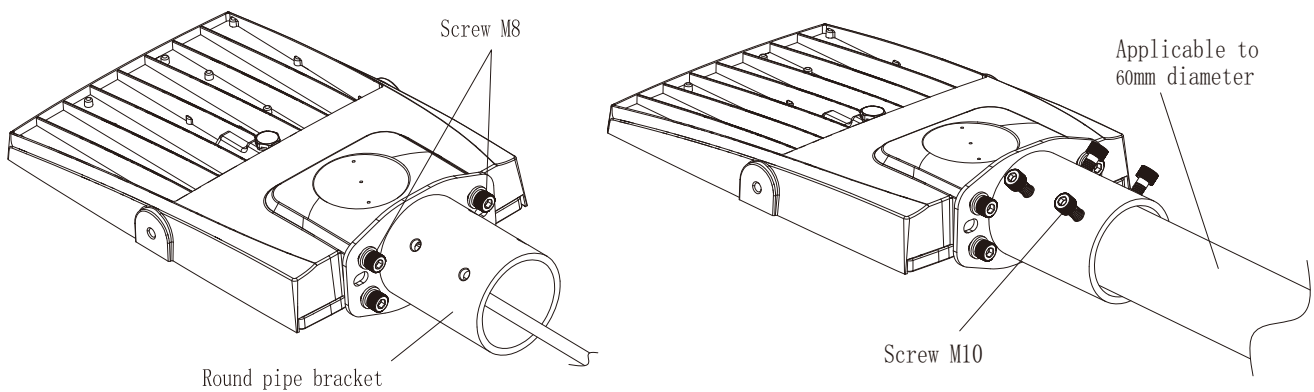
PARX75W | PARX150W | PARX200W | PARX300W

## Steps:



1. Remove the U-shaped bracket and screws

2. The cable passes through the Round pipe bracket



3. Fix the Round pipe bracket to the lamp body with screws

4. After the lamp is connected to the mains, the wires are hidden in the lamp post, and the round tube bracket is fixed to the lamp post by screws