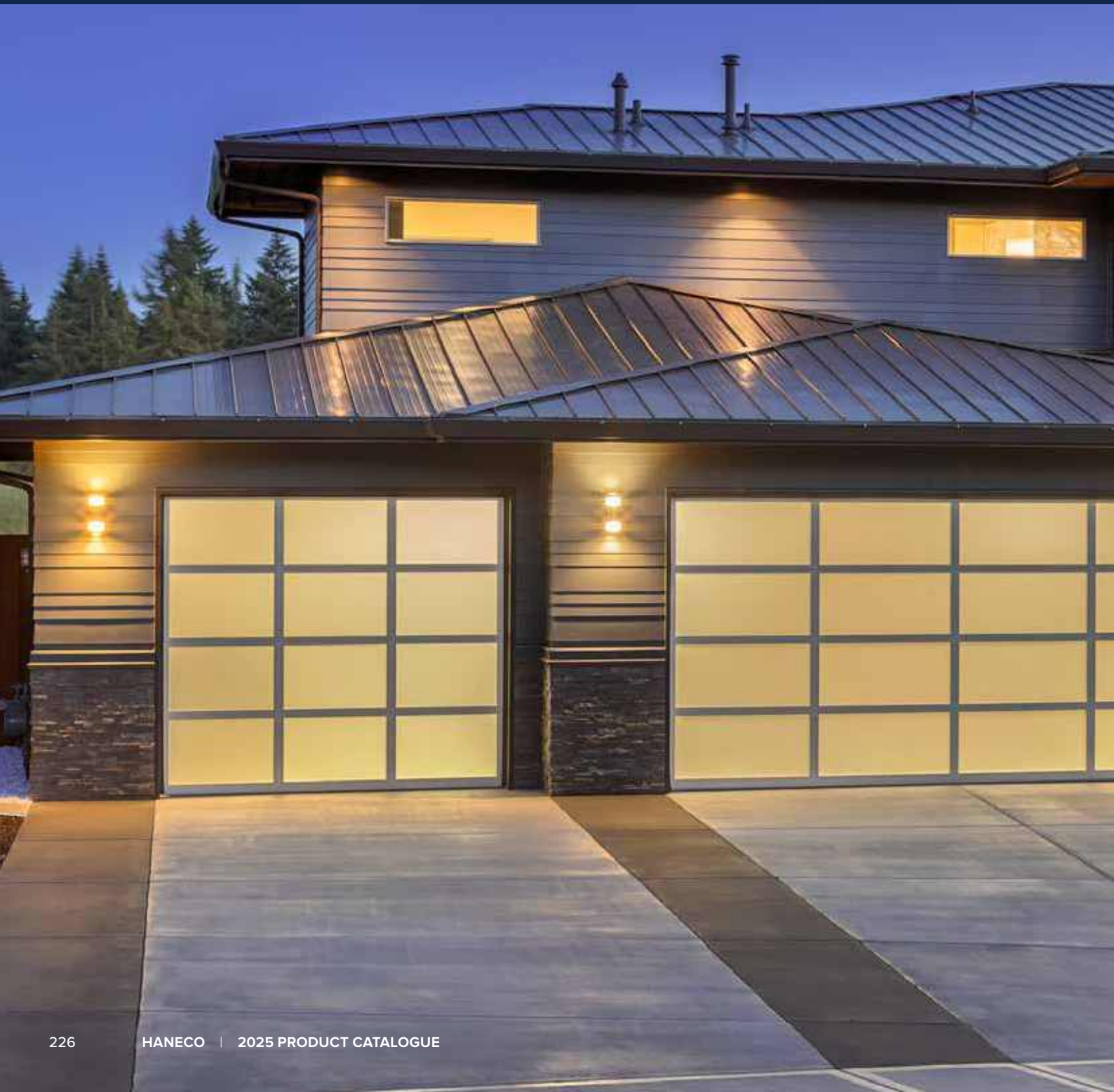


STAX <sup>G4</sup> .....	230
PARX <sup>G2</sup> .....	232
PROXIMA .....	236
PROXIMA <sup>G2</sup> .....	238
DAWN .....	240
DAWN <sup>HERO</sup> .....	242
CALEO .....	244
ARCHISPOT .....	246
MATITA .....	248
ACCESSORIES .....	250



# OUTDOOR LIGHTING





Project: Redlands Hospital Carpark, QLD  
Provider / Installer: CV Services



Project: Lexus of Springwood, QLD  
Provider / Installer: CQ Electrical



# STAX



Durable construction and performance for outdoor areas

IP66 and IK08 ratings

Provides the choice of light hues from a single luminaire

Tritone colour selectable

Adjust the light to suit the requirements

Power switchable

High efficacy rating to promote energy saving

Exceptional performance

Adaptable to suit various requirements

Choice of sizes to choose from

## STAX<sup>G4</sup>

Compact and flexible.

STAX G4 is a versatile and efficient LED Floodlight. With selectable colour temperature, dual power version and optional PIR motion sensor, it is suitable for a wide range of applications.



**TRITONE**

Colour Selectable



**2POWER**

Switchable Modes



**IP66**

Ingress Protection Rating



**IK08**

Impact Rating



**50,000hr**

Projected Lifespan



**3yr**

Warranty

## PRODUCT RANGE



Product Code	STAX30WG4	STAX50WG4	STAX100WG4	STAX200WG4
SAP Code	2002321	2002322	2002323	2002324
Power	15 / 30 W	30 / 50 W	75 / 100 W	150 / 200 W
Lumen Output	15 W: 2000 lm 30 W: 3600 lm	30 W: 4000 lm 50 W: 6000 lm	75 W: 9400 lm 100 W: 12100 lm	150 W: 16750 lm 200 W: 22510 lm
Efficacy	15 W: 120 / 130 / 120 lm/W 30 W: 110 / 120 / 110 lm/W	30 W: 115 / 130 / 115 lm/W 50 W: 110 / 120 / 110 lm/W	75 W: 115 / 125 / 115 lm/W 100 W: 110 / 120 / 110 lm/W	150 W: 102 / 120 / 110 lm/W 200 W: 97 / 115 / 105 lm/W
CCT	3000 / 4000 / 5000 K	3000 / 4000 / 5000 K	3000 / 4000 / 5000 K	3000 / 4000 / 5000 K
Dimensions	155 x 124 x 30 mm	210 x 168 x 30 mm	275 x 220 x 35 mm	336 x 226 x 39 mm
Weight	0.60 kg	1.10 kg	1.85 kg	2.90 kg
Product Colour	Black	Black	Black	Black
Power Lead	0.6 m Flex and Plug	0.6 m Flex	1 m Flex	1 m Flex

## COMMON SPECIFICATIONS

<b>Body Material</b>	Die-cast Aluminium	<b>Input Voltage</b>	220-240Vac, 50/60Hz
<b>Diffuser Material</b>	Glass Lens	<b>Electrical Classification</b>	Class I
<b>Product Colour</b>	Black	<b>Power Factor</b>	> 0.9
<b>Fascia Colour</b>	Black	<b>Protection</b>	Overload / Short Circuit
<b>IP Rating</b>	IP66	<b>Projected Lifespan</b>	> 50,000hrs @Ta25°C (L70)
<b>IK Rating</b>	IK08	<b>Operating Ambient Temperature</b>	-20 to 45°C
<b>Beam Angle</b>	120°	<b>Dimming</b>	Non-Dimmable
<b>CRI</b>	> 80		
<b>SDCM</b>	< 5		
<b>Driver</b>	Integral		
<b>Power Lead</b>	0.6 m Flex & Plug for the STAX30W only		

## APPLICATIONS

Shed  
Carpark  
Carport  
Side of Building  
Temporary Installations  
General Industrial  
Area Lighting

## ACCESSORIES

### Motion Sensors



PIR Sensor  
**STAX-SENSOR**  
(SAP 2002135)

### Mounting Supports

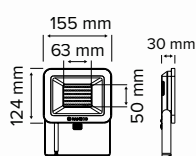


90° Corner  
Mount Bracket  
**STAX90D-BRKT-S**  
(SAP 2002136)

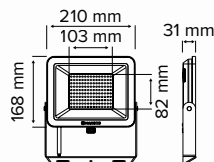


90° Corner  
Mount Bracket  
**STAX90D-BRKT-L**  
(SAP 2002137)

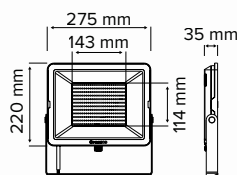
## DIMENSIONS



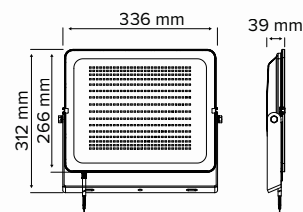
STAX30WG4



STAX50WG4



STAX100WG4



STAX200WG4

Find out more



# PARX

Offering the right amount of light for the application

Large power options

Expand the lighting possibilities with different mounting configuration

Versatile mounting options



Ideal for outdoor

IP65 and IK08 rating

Easily adjustable

Simple installation and adjustability

## G2

Asymmetric distribution

The right amount of light for your application

## PARX<sup>G2</sup>

Powerful all-rounder.

The PARX G2 isn't just another floodlight - it's a lighting powerhouse designed to tackle any challenge. This versatile LED fixture boasts high-efficiency LEDs that deliver unmatched brightness, while the array of available optics ensures you get the perfect beam pattern for your specific needs. Built to last with robust construction, the PARX G2 also boasts a sleek aesthetic design that complements any environment. Let the PARX G2 illuminate your lighting requirements with ease and style.



**POWER**  
Switchable Modes



**IK08**  
Impact Rating



**IP65**  
Ingress Protection Rating



**Flicker**  
Free



**100,000hr**  
Projected Lifespan



**5yr**  
Warranty

## PRODUCT RANGE

				
<b>Product Code</b>	<b>PARX75W-AS-4K</b>	<b>PARX150W-AS-4K</b>	<b>PARX200W-AS-4K</b>	<b>PARX300W-AS-4K</b>
<b>SAP Code</b>	2002380	2002381	2002382	2002383
<b>Power</b>	50 / 75 W	100 / 150 W	175 / 200 W	225 / 250 / 375 / 300 W
<b>Lumen Output</b>	50 W: 8,241 lm/W 75 W: 12,103 lm/W	100 W: 16,747 lm/W 150 W: 24,504 lm/W	175 W: 30,697 lm/W 200 W: 34,372 lm/W	225 W: 39,204 lm/W 250 W: 42,759 lm/W 375 W: 46,078 lm/W 300 W: 49,456 lm/W
<b>Efficacy</b>	50 W: 164 lm/W 75 W: 162 lm/W	100 W: 167 lm/W 150 W: 167 lm/W	175 W: 174 lm/W 200 W: 173 lm/W	225 W: 172 lm/W 250 W: 169 lm/W 375 W: 167 lm/W 300 W: 166 lm/W
<b>CCT</b>	4000 K	4000 K	4000 K	4000 K
<b>Dimensions</b>	311 x 225 x 50 mm	352 x 320 x 60 mm	442 x 320 x 60 mm	534 x 320 x 60 mm
<b>Weight</b>	2.60 kg	4.40 kg	5.10 kg	6.00 kg
<b>Product Colour</b>	Black	Black	Black	Black

## COMMON SPECIFICATIONS

<b>Body Material</b>	Diecast Aluminium	<b>Input Voltage</b>	220-240Vac, 50/60Hz
<b>Diffuser Material</b>	Polycarbonate	<b>Electrical Classification</b>	Class I
<b>IP Rating</b>	IP65	<b>Power Factor</b>	> 0.9
<b>IK Rating</b>	IK08	<b>Surge Protection</b>	10 kV
<b>Beam Angle</b>	120° x 60°	<b>Protection</b>	Overload / Short Circuit
<b>CRI</b>	> 80	<b>Projected Lifespan</b>	> 100,000hrs @Ta50°C (L80)
<b>SDCM</b>	< 3	<b>Operating Ambient Temperature</b>	-40 to 50 °C
<b>Driver</b>	Integral	<b>Smart</b>	KASTA Compatible
<b>Power Lead</b>	2m Flex	<b>Dimming</b>	0 - 10V Dimmable

## APPLICATIONS

Carpark  
Side of Building  
General Industrial  
Area Lighting  
Outdoor Recreation  
Sports Facility  
Tennis Court

## ACCESSORIES

### Mounting Supports



Pole U Bracket  
**PARX-UBKT**  
(SAP 2002579)



Adjustable Bracket  
**PARX-ADJ-SQBKT**  
(SAP 2002585)



4-Way Pole Adaptor  
**PARX-HUB**  
(SAP 2002578)



Square Pole Adaptor  
**PARX-HUB-RND**  
(SAP 2002584)



Spigot Adaptor  
**PARX-SPIGOT**  
(SAP 2002407)



Adjustable Spigot Adaptor  
**PARX-ADJ-SPIGOT**  
(SAP 2002166)

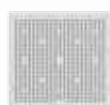
### Lenses



75W Symmetric Lens  
**PARX75W-LENS-SM**  
(SAP 2002388)



150W Symmetric Lens  
**PARX150W-LENS-SM**  
(SAP 2002389)



200W Symmetric Lens  
**PARX200W-LENS-SM**  
(SAP 2002390)



300W Symmetric Lens  
**PARX300W-LENS-SM**  
(SAP 2002391)



75W T3 Lens  
**PARX75W-LENS-T3**  
(SAP 2002384)



150W T3 Lens  
**PARX150W-LENS-T3**  
(SAP 2002385)

### Shields



200W T3 Lens  
**PARX200W-LENS-T3**  
(SAP 2002386)



300W T3 Lens  
**PARX300W-LENS-T3**  
(SAP 2002387)



75W Spill Light Shield  
**PARX75W-SHIELD**  
(SAP 2002392)



150W Spill Light Shield  
**PARX150W-SHIELD**  
(SAP 2002393)



200W Spill Light Shield  
**PARX200W-SHIELD**  
(SAP 2002394)



300W Spill Light Shield  
**PARX300W-SHIELD**  
(SAP 2002395)

### Sensors and control



Motion Sensor  
**SKYLUX-G5/EV-MS**  
(SAP 2002438)



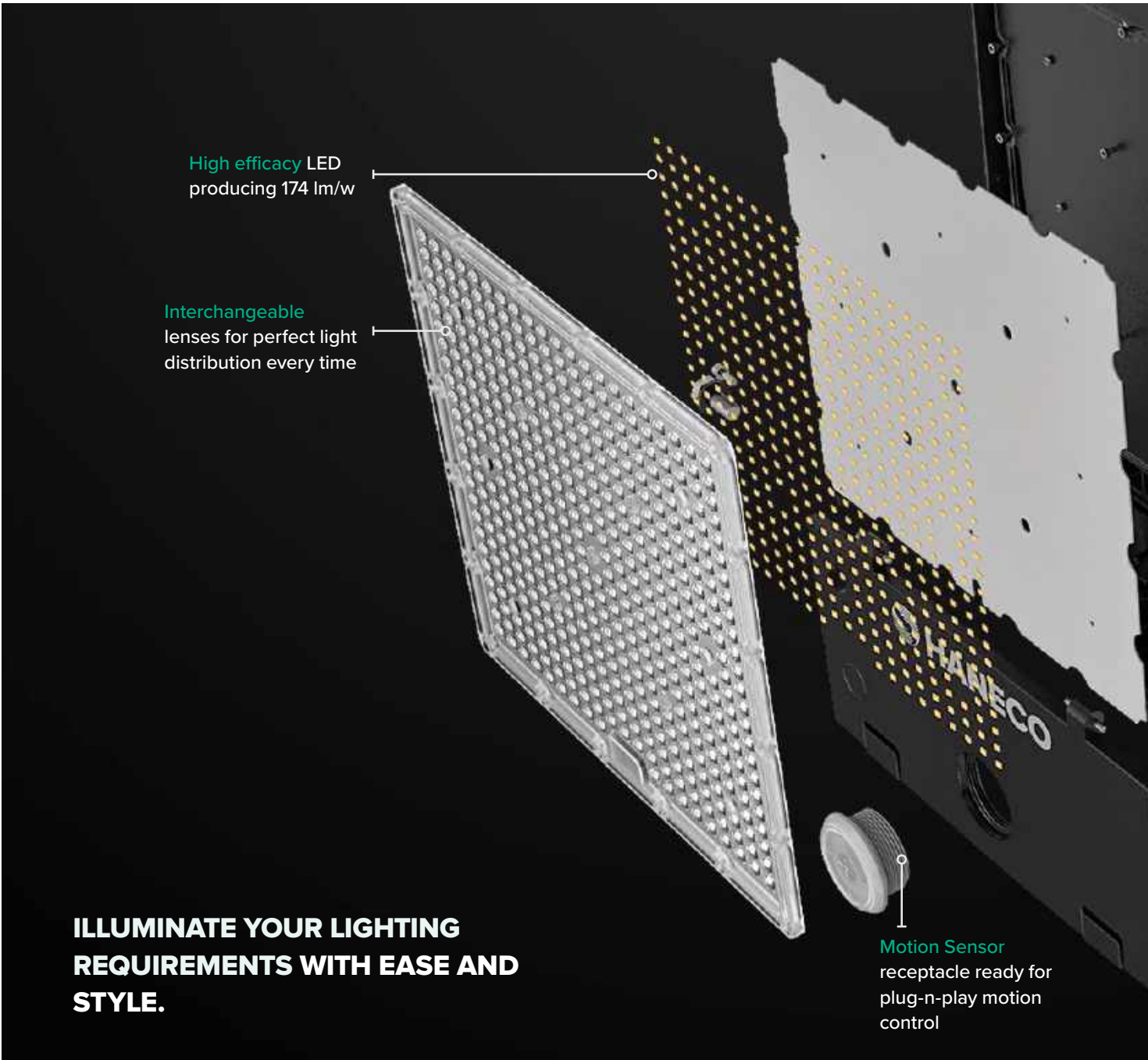
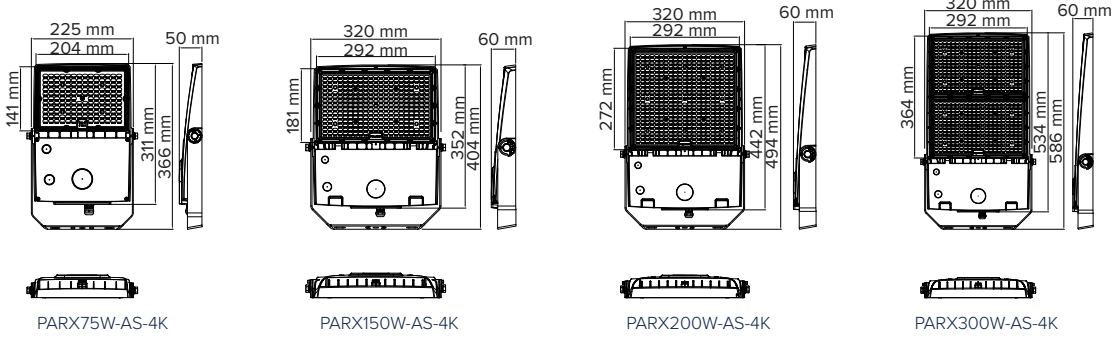
Sensor Remote Controller  
**HIGHBAY-REMOTE**  
(SAP 2002282)

Find out more





## DIMENSIONS



**ILLUMINATE YOUR LIGHTING REQUIREMENTS WITH EASE AND STYLE.**



**Provide limitless lighting flexibility**

Fitting available with single or multiple lights

**Suitable for outdoor applications**

IP54 rating

**Enhances the premium look and feel**

Painted aluminium

**Increased versatility to direct light where it is required**

Adjustable gimbal

**Blend fitting into the existing environments seamlessly**

Choice of colour finishes

## PROXIMA

**Sleek and robust.**

PROXIMA is available in a single or twin lamp option for general security illumination. The sleek profile design with retrofittable PIR sensor makes it ideal for residential and commercial exterior applications.



**PRODUCT RANGE**



Product Code	PROXIMA-TRI15-W	PROXIMA-TRI30-W
SAP Code	2002058	2002059
Power	15 W	30 W
Lumen Output	1000 / 1100 / 1000 lm	2000 / 2200 / 2000 lm
Efficacy	67 / 73 / 67 lm/W	67 / 73 / 67 lm/W
CCT	3000 / 4000 / 5500 K	3000 / 4000 / 5500 K
Dimensions	Ø114 x 200 mm	Ø114 x 200 mm
Weight	0.50 kg	0.80 kg
Product Colour	White	White

**COMMON SPECIFICATIONS**

<b>Body Material</b>	Aluminium and Polycarbonate	<b>Input Voltage</b>	220-240Vac, 50/60Hz
<b>Diffuser Material</b>	PMMA (Acrylic)	<b>Electrical Classification</b>	Class I
<b>IP Rating</b>	IP54	<b>Power Factor</b>	> 0.9
<b>Adjustable Angle</b>	0-180°	<b>Protection</b>	Overload / Short Circuit
<b>Beam Angle</b>	100°	<b>Projected Lifespan</b>	> 50,000hrs @Ta25°C (L70)
<b>CRI</b>	> 80	<b>Operating Ambient Temperature</b>	0 to 40°C
<b>SDCM</b>	< 5	<b>Dimming</b>	Non-Dimmable
<b>Power Connection</b>	PA12 Terminals		

**APPLICATIONS**

- Shed
- Carpark
- Carpport
- Side of Building
- Area Lighting
- Kitchen/ Food Prep
- Garage
- Store Rooms
- Hangers
- Workshops
- Manufacturing Facilities
- Cool Rooms
- Indoor Recreation

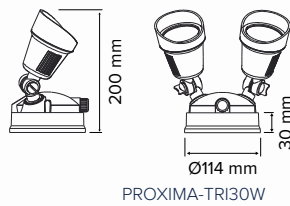
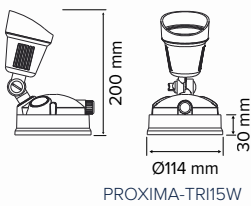
**ACCESSORIES**

**Motion Sensors**



PIR Sensor  
**PROXIMA-PIR-W**  
(SAP 2002060)

**DIMENSIONS**



Find out more



**Provide limitless lighting flexibility**

Fitting available with single or multiple lights

**Provides the choice of light hues from a single luminaire**

Tritone colour selectable



**Enhances the premium look and feel**

Painted aluminium

**Aids in improving the installation process**

Easy terminal block access

**Increased versatility to direct light where it is required**

Adjustable gimbal

G2

## PROXIMA<sup>G2</sup>

**Sleek and robust.**

Experience the versatility and power of PROXIMA G2, a customisable and robust outdoor security lighting solution featuring flexible 360° pivot rotation and quick toolless installation. Available as a single or twin lamp, PROXIMA G2 seamlessly blends into any residential or commercial outdoor space, offering a sleek and stylish design.



**PRODUCT RANGE**



Product Code	PROXIMA-12	PROXIMA-12-W	PROXIMA-24	PROXIMA-24-W
SAP Code	2002529	2002594	2002530	2002595
Power	12 W	12 W	24 W	24 W
Lumen Output	925 / 1087 / 1021 lm	925 / 1087 / 1021 lm	1691 / 2098 / 1973 lm	1691 / 2098 / 1973 lm
Efficacy	70 / 92 / 83 lm/W	70 / 92 / 83 lm/W	77 / 96 / 86 lm/W	77 / 96 / 86 lm/W
CCT	3000 / 4000 / 5700 K	3000 / 4000 / 5700 K	3000 / 4000 / 5700 K	3000 / 4000 / 5700 K
Dimensions	Ø114 x 202 mm	Ø114 x 202 mm	Ø114 x 163 mm	Ø114 x 163 mm
Product Colour	Black	White	Black	White

**COMMON SPECIFICATIONS**

<b>Body Material</b>	Aluminium and ABS	<b>Input Voltage</b>	220-240Vac, 50/60Hz
<b>Diffuser Material</b>	PMMA (Acrylic)	<b>Electrical Classification</b>	Class I
<b>IK Rating</b>	IK10	<b>Power Factor</b>	> 0.9
<b>IP Rating</b>	IP54	<b>Protection</b>	Overload / Short Circuit
<b>Adjustable Angle</b>	0-360°	<b>Projected Lifespan</b>	> 50,000hrs @Ta25°C (L70)
<b>Beam Angle</b>	120°	<b>Operating Ambient Temperature</b>	0 to 40°C
<b>CRI</b>	> 80	<b>Dimming</b>	Non-Dimmable
<b>SDCM</b>	< 5		
<b>Power Connection</b>	PA12 Terminals		

**APPLICATIONS**

- Shed
- Carpark
- Carport
- Side of Building
- Area Lighting

**ACCESSORIES**

**Motion Sensors**

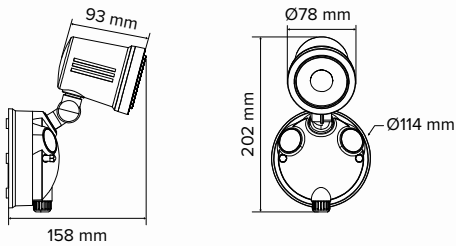


PIR Sensor  
**PROXIMA-PIR-B**  
(SAP 2002061)

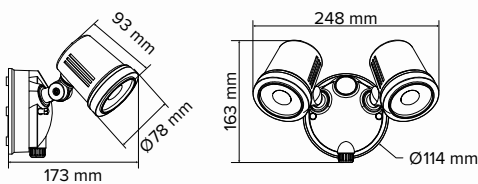


PIR Sensor  
**PROXIMA-PIR-W**  
(SAP 2002060)

**DIMENSIONS**



PROXIMA-12 / PROXIMA-12-W



PROXIMA-24 / PROXIMA-24-W

Find out more



**Aids in improving the installation process**

Easy terminal block access

**Robust housing to withstand damage**

IP66 and IK10 rating

**Provides the choice of light hues from a single luminaire**

Tritone colour selectable

**Adaptable to suit various requirements**

Choice of sizes to choose from

**Covers a diverse range of applications**

Extensive model range



## DAWN

**Contemporary and versatile.**

DAWN is a range of contemporary bulkheads available in various shapes, wattages as well as sensor and emergency options. Its IP66 and IK10 rating, as well as a huge variety of accessories, make it ideal for outdoor applications such as apartment buildings, schools and public areas.



**PRODUCT RANGE**



Product Code	DN16WOVL-TRI	DN16WOVL-TRI-MS	DN20WRND-TRI	DN20WRND-TRI-MS	DN20WRND-TRI-EM
SAP Code	2001706	2001909	2001699	2001910	2001911
Power	16 W	16 W	20 W	20 W	20 W
Lumen Output	1320 / 1500 / 1400 lm	1320 / 1500 / 1400 lm	2050 / 2050 / 1890 lm	2050 / 2050 / 1890 lm	2050 / 2050 / 1890 lm
Efficacy	83 / 94 / 87 lm/W	83 / 94 / 87 lm/W	103 / 103 / 94 lm/W	103 / 103 / 94 lm/W	103 / 103 / 94 lm/W
CCT	3000 / 4000 / 5000 K	3000 / 4000 / 5000 K	3000 / 4000 / 5000 K	3000 / 4000 / 5000 K	3000 / 4000 / 5000 K
Dimensions	280 x 185 x 100 mm	280 x 185 x 100 mm	Ø275 x 80 mm	Ø275 x 80 mm	Ø275 x 80 mm
Shape	Oval	Oval	Round	Round	Round
Product Colour	Black	Black	Black	Black	Black
Model Variant	N/A	Intellisensor	N/A	Intellisensor	Emergency
Operating Ambient Temperature	-20 to 45°C	-20 to 45°C	-20 to 45°C	-20 to 45°C	0 to 45°C



Product Code	DN20WRND-TRI-MS-EM	DN30WRND-TRI	DN30WRND-TRI-MS	DN30WRND-TRI-EM	DN30WRND-TRI-MS-EM
SAP Code	2001912	2001700	2001913	2001914	2001915
Power	20 W	30 W	30 W	30 W	30 W
Lumen Output	2050 / 2050 / 1890 lm	2760 / 3000 / 2770 lm	2760 / 3000 / 2770 lm	2760 / 3000 / 2770 lm	2760 / 3000 / 2770 lm
Efficacy	103 / 103 / 94 lm/W	92 / 100 / 92 lm/W	92 / 100 / 92 lm/W	92 / 100 / 92 lm/W	92 / 100 / 92 lm/W
CCT	3000 / 4000 / 5000 K	3000 / 4000 / 5000 K	3000 / 4000 / 5000 K	3000 / 4000 / 5000 K	3000 / 4000 / 5000 K
Dimensions	Ø275 x 80 mm	Ø350 x 110 mm	Ø350 x 110 mm	Ø350 x 110 mm	Ø350 x 110 mm
Shape	Round	Round	Round	Round	Round
Product Colour	Black	Black	Black	Black	Black
Model Variant	Intellisensor + Emergency	N/A	Intellisensor	Emergency	Intellisensor + Emergency
Operating Ambient Temperature	0 to 45°C	-20 to 45°C	-20 to 45°C	0 to 45°C	0 to 45°C

**COMMON SPECIFICATIONS**

Body Material	Aluminium	Power Connection	PA14 Terminal Block
Diffuser Material	Polycarbonate (Opal)	Input Voltage	220-240Vac, 50/60Hz
IP Rating	IP66	Electrical Classification	Class I
IK Rating	IK10	Power Factor	> 0.9
Beam Angle	120°	Protection	Overload / Short Circuit
CRI	> 80	Projected Lifespan	> 50,000hrs @Ta25°C (L70)
Driver	Integral	Dimming	Non-Dimmable

**APPLICATIONS**

- Staircase
- Carpark
- Side of Building
- Area Lighting

**ACCESSORIES**

**Fascia Trims**



Round Eyelid Trim  
**DNRND-EL270**  
(SAP 2001701)

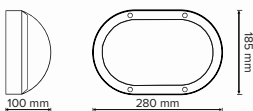
Oval Grille Trim  
**DNOVL-GR280**  
(SAP 2001709)

**DIMENSIONS**



DN20WRND-TRI / DN20WRND-TRI-MS / DN20WRND-TRI-EM / DN20WRND-TRI-MS-EM

DN30WRND-TRI / DN30WRND-TRI-MS / DN30WRND-TRI-EM / DN30WRND-TRI-MS-EM



DN16WOVL-TRI / DN16WOVL-TRI-MS

Find out more





Aids in improving the installation process

Easy terminal block access

Adjust the light to suit the requirements

Power switchable



Improve power conservation when not in use

Sensor activation\*

Provides safety in case of power outages

Emergency back up battery\*

Provides high end appearance

Modernised design

## DAWN<sup>HERO</sup>

Sleek, beautiful and tough.

DAWN HERO is a sleek and elegant, yet robust and vandal proof bulkhead design. Retrofittable eyelid accessories are included in every model for increased flexibility and functionality. Suitable for up to +50°C ambient temperature (EM versions +40°C ) it is perfect for the warmer Australian climate.



\*Model dependent

**PRODUCT RANGE**



Product Code	DN13WHR	DN13WHR-MS	DN13WHR-EM	DN13WHR-MS-EM
SAP Code	2002287	2002288	2002289	2002290
Power	9 / 13 W	10 / 14 W	11 / 15 W	12 / 16 W
Lumen Output	9 W: 930 / 900 lm 13 W: 1220 / 1300 lm	9 W: 930 / 900 lm 13 W: 1220 / 1300 lm	11 W: 930 / 990 lm 15 W: 1220 / 1300 lm	12 W: 930 / 990 lm 16 W: 1220 / 1300 lm
Efficacy	9 W: 105 / 111 lm/W 13 W: 95 / 101 lm/W	10 W: 93 / 99 lm/W 14 W: 87 / 92 lm/W	11 W: 84 / 90 lm/W 15 W: 81 / 87 lm/W	12 W: 78 / 83 lm/W 16 W: 76 / 81 lm/W
CCT	3000 / 4000 K	3000 / 4000 K	3000 / 4000 K	3000 / 4000 K
Dimensions	Ø300 x 86 mm	Ø300 x 86 mm	Ø300 x 86 mm	Ø300 x 86 mm
Shape	Round	Round	Round	Round
Product Colour	Black	Black	Black	Black
Model Variant	N/A	Intellisensor	Emergency	Intellisensor + Emergency
Operating Ambient Temperature	-30 to 50°C	-20 to 50°C	0 to 40°C	0 to 40°C

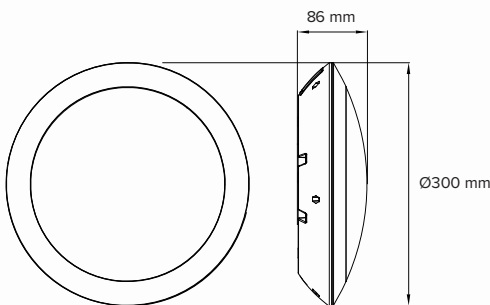
**COMMON SPECIFICATIONS**

Body Material	Polycarbonate	Input Voltage	220-240Vac, 50/60Hz
Diffuser Material	Polycarbonate (Opal)	Electrical Classification	Class II
IP Rating	IP66	Power Factor	> 0.9
IK Rating	IK10	Protection	Overload / Short Circuit
Beam Angle	110°	Projected Lifespan	> 50,000hrs @Ta25°C (L70)
CRI	> 80	Dimming	Non-Dimmable
SDCM	< 3		
Driver	Integral		
Power Connection	PA14 Terminal Block		

**APPLICATIONS**

- Carpark
- Side of Building
- Area Lighting
- Staircase

**DIMENSIONS**



DN13WHR / DN13WHR-MS / DN13WHR-EM / DN13WHR-MS-EM

**ACCESSORIES**



(Eyelid accessory included)

Find out more



**Aids in improving the installation process**

Easy terminal block access

**Enhances the premium look and feel**

Painted aluminium housing

**Ideal for outdoor applications**

IP65 and IK08 rating

**Great for retrofit applications**

Wide body housing

**Improve power conservation when not in use**

Sensor activation\*

# CALEO

**Functionality and durability.**

CALEO is a functional, vandal proof LED outdoor security light. With an aluminium body, a tough UV stabilised polycarbonate diffuser and integrated sensor option, it is ideal for outdoor pathway guidance.



**IK08**  
Impact Rating



**IP65**  
Ingress Protection Rating



**50,000hr**  
Projected Lifespan



**3yr**  
Warranty

\*Model dependent

**PRODUCT RANGE**



Product Code	CALEO30W-5K	CALEO30W-5K-S
SAP Code	2000697	2000698
Power	30 W	30 W
Lumen Output	2290 lm	2290 lm
Efficacy	76 lm/W	76 lm/W
CCT	5000 K	5000 K
Dimensions	288 x 120 x 308 mm	288 x 120 x 308 mm
Product Colour	Black	Black
Model Variant	Standard	Intellisensor

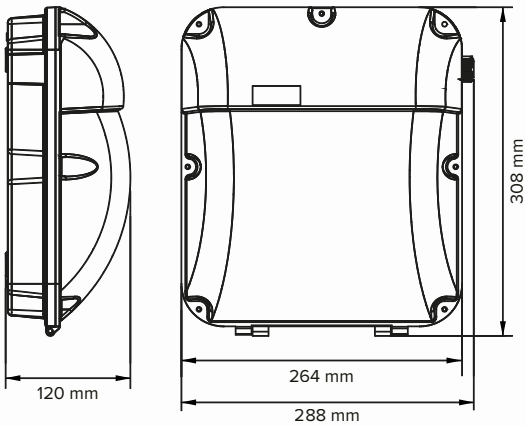
**COMMON SPECIFICATIONS**

<b>Body Material</b>	Aluminium	<b>Input Voltage</b>	220-240Vac, 50/60Hz
<b>Diffuser Material</b>	Polycarbonate (Opal)	<b>Electrical Classification</b>	Class I
<b>IP Rating</b>	IP65	<b>Power Factor</b>	> 0.9
<b>IK Rating</b>	IK08	<b>Protection</b>	Overload / Short Circuit
<b>Beam Angle</b>	110°	<b>Projected Lifespan</b>	> 50,000hrs @Ta25°C (L70)
<b>CRI</b>	> 70	<b>Operating Ambient Temperature</b>	-20 to 50°C
<b>SDCM</b>	< 5	<b>Dimming</b>	Non-Dimmable
<b>Driver</b>	Integral		
<b>Power Connection</b>	PA14 Terminal Block		

**APPLICATIONS**

Carpark  
Area Lighting

**DIMENSIONS**



CALEO30W-5K / CALEO30W-5K-S

Find out more





Blend fitting into the existing environment seamlessly

Choice of colour finishes

Ideal for accent lighting

Excellent feature lighting option

Enhances the premium look and feel

Painted aluminium housing

Ideal for outdoor areas

IP65 rating

Ideal solution for outdoor architecture lighting

Balanced up/down lighting\*

# ARCHISPOT

Simple elegance.

ARCHISPOT is an advanced decorative wall pillar luminaire designed to offer a cutting-edge solution for contemporary exteriors, including porticos and entrances, with an emphasis on technical precision and functionality. Its versatile design allows it to serve as both a decorative accent lighting fixture and a fully adjustable luminaire for various applications.

  
**TRITONE**  
Colour Selectable

  
**IP65**  
Ingress Protection Rating

  
**36,000hr**  
Projected Lifespan

  
**3yr**  
Warranty

\*Model dependent

**PRODUCT RANGE**



Product Code	AS-FIX-TRI-W	AS-FIX-TRI-S	AS-FIX-TRI-B	AS-ADJ-TRI-W	AS-ADJ-TRI-S
SAP Code	2002413	2002415	2002414	2002416	2002418
Power	6 W	6 W	6 W	6 W	6 W
Lumen Output	392 / 421 / 354 lm	392 / 421 / 354 lm	392 / 421 / 354 lm	392 / 421 / 354 lm	392 / 421 / 354 lm
Efficacy	65 / 70 / 59 lm/W	65 / 70 / 59 lm/W	65 / 70 / 59 lm/W	65 / 70 / 59 lm/W	65 / 70 / 59 lm/W
CCT	3000 / 4000 / 6500 K	3000 / 4000 / 6500 K	3000 / 4000 / 6500 K	3000 / 4000 / 6500 K	3000 / 4000 / 6500 K
Dimensions	Ø68 mm Mounting Diameter, Total Light Depth: = 85 x 125 mm	Ø68 mm Mounting Diameter, Total Light Depth: = 85 x 125 mm	Ø68 mm Mounting Diameter, Total Light Depth: = 85 x 125 mm	Ø68 mm Mounting Diameter, Total Light Depth: = 85 x 175 mm	Ø68 mm Mounting Diameter, Total Light Depth: = 85 x 175 mm
Beam Angle	51°	51°	51°	51°	51°
Adjustable Angle	N/A	N/A	N/A	0-90° Tilt 270° Swivel	0-90° Tilt 270° Swivel
Product Colour	White	Sliver	Black	White	Sliver



Product Code	AS-ADJ-TRI-B	AS-U/D-TRI-W	AS-U/D-TRI-S	AS-U/D-TRI-B
SAP Code	2002417	2002410	2002412	2002411
Power	6 W	12 W	12 W	12 W
Lumen Output	392 / 421 / 354 lm	784 / 842 / 708 lm	784 / 842 / 708 lm	784 / 842 / 708 lm
Efficacy	65 / 70 / 59 lm/W	65 / 70 / 59 lm/W	65 / 70 / 59 lm/W	65 / 70 / 59 lm/W
CCT	3000 / 4000 / 6500 K	3000 / 4000 / 6500 K	3000 / 4000 / 6500 K	3000 / 4000 / 6500 K
Dimensions	Ø68 mm Mounting Diameter, Total Light Depth: = 85 x 175 mm	Ø68 mm Mounting Diameter, Total Light Depth: = 85 x 210 mm	Ø68 mm Mounting Diameter, Total Light Depth: = 85 x 210 mm	Ø68 mm Mounting Diameter, Total Light Depth: = 85 x 210 mm
Beam Angle	51°	48°	48°	48°
Adjustable Angle	0-90° Tilt 270° Swivel	N/A	N/A	N/A
Product Colour	Black	White	Sliver	Black

**COMMON SPECIFICATIONS**

<b>Body Material</b>	Aluminium	<b>Electrical Classification</b>	Class I
<b>Diffuser Material</b>	Polycarbonate (Opal)	<b>Power Factor</b>	> 0.9
<b>IP Rating</b>	IP65	<b>Protection</b>	Overload / Short Circuit
<b>CRI</b>	> 80	<b>Projected Lifespan</b>	> 36,000hrs @Ta25°C(L70)
<b>SDCM</b>	< 7	<b>Operating Ambient Temperature</b>	-20 to 40°C
<b>Warranty</b>	3yrs (1yr lamp)	<b>Dimming</b>	Non-Dimmable
<b>Driver</b>	Integral		
<b>Power Connection</b>	PA12 Terminal Block		
<b>Input Voltage</b>	220-240Vac, 50/60Hz		

**APPLICATIONS**

- Accent / Display / Feature Lighting
- Garage
- Side of Building
- Carport
- Area Lighting

**ACCESSORIES**

**Replaceable GU10 globes**

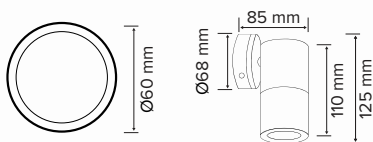


GU10 globe  
**B4WTRI-GU10**  
(SAP 2002405)

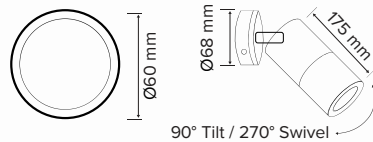


GU10 globe  
**B6WTRI-GU10**  
(SAP 2002406)

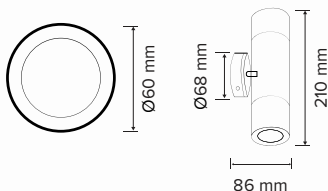
**DIMENSIONS**



AS-FIX-TRI-W / AS-FIX-TRI-S / AS-FIX-TRI-B



AS-ADJ-TRI-W / AS-ADJ-TRI-S / AS-ADJ-TRI-B



AS-U/D-TRI-W / AS-U/D-TRI-S / AS-U/D-TRI-B

Find out more



# MATITA



**Enhances the premium look and feel**

Painted aluminium housing

**Improved thermal characteristics for heavy duty applications**

Diecast aluminium construction

**Ideal for accent lighting**

Excellent feature lighting option

**Provides high end appearance**

Modernised design

**Long lasting in hot environments**

High ambient temperature rating (up to 60°C)

## MATITA

**Elegant and functional.**

The MATITA bollard leads the way with a low glare louvered optic. Its IP65 rating makes it ideal for a wide range of landscape applications such as driveways, paths, car parks and gardens.



## PRODUCT RANGE



Product Code	<b>G12W120*650R3K52DC-BK</b>
SAP Code	2000542
Power	16 W
Lumen Output	550 lm
Efficacy	33 lm/W
CCT	3000 K
Dimensions	Ø120 x 650 mm
Product Colour	Black

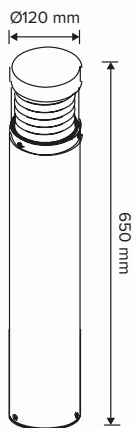
## COMMON SPECIFICATIONS

<b>Body Material</b>	Aluminium	<b>Electrical Classification</b>	Class I
<b>Diffuser Material</b>	Polycarbonate (Clear)	<b>Power Factor</b>	> 0.9
<b>IP Rating</b>	IP65	<b>Protection</b>	Overload / Short Circuit
<b>Beam Angle</b>	50°	<b>Projected Lifespan</b>	> 50,000hrs @Ta25°C (L70)
<b>CRI</b>	> 80	<b>Operating Ambient Temperature</b>	-25 to 60°C
<b>SDCM</b>	< 3	<b>Dimming</b>	Non-Dimmable
<b>Driver</b>	Integral		
<b>Power Connection</b>	PA14 Terminal Block		
<b>Input Voltage</b>	220-240Vac, 50/60Hz		

## APPLICATIONS

Garden / Pathway  
Area Lighting

## DIMENSIONS



G12W120\*650R3K52DC-BK

Find out more





# Accessories

## SENSORS AND CONTROL



Product Code	<b>STAX-SENSOR</b>
SAP Code	2002135
Type	PIR Sensor
Compatible With	STAX30WG4 STAX50WG4 STAX100WG4



Product Code	<b>PROXIMA-PIR-B</b>
SAP Code	2002061
Type	PIR Sensor
Compatible With	PROXIMA <sup>G2</sup> (all models)



Product Code	<b>PROXIMA-PIR-W</b>
SAP Code	2002060
Type	PIR Sensor
Compatible With	PROXIMA (all models)



Product Code	<b>SKYLUX-G5/EV-MS</b>
SAP Code	2002438
Type	Microwave Motion Sensor
Compatible With	PARX <sup>G2</sup> (all models)



Product Code	<b>HIGHBAY-REMOTE</b>
SAP Code	2002282
Type	Sensor Remote Controller
Compatible With	PARX <sup>G2</sup> (all models)

## TRIM ADAPTORS



Product Code	<b>DNRND-EL270</b>
SAP Code	2001701
Type	Round Eyelid Trim
Compatible With	DN20WRND-TRI DN20WRND-TRI-MS DN20WRND-TRI-EM DN20WRND-TRI-MS-EM



Product Code	<b>DNOVL-GR280</b>
SAP Code	2001709
Type	Oval Grille Trim
Compatible With	DN16WOVL-TRI DN16WOVL-TRI-MS

**MOUNTING SUPPORTS**



Product Code	<b>STAX90D-BRKT-S</b>
SAP Code	2002136
Type	90° Corner Mount Bracket
Compatible With	STAX30WG4 STAX50WG4



Product Code	<b>STAX90D-BRKT-L</b>
SAP Code	2002137
Type	90° Corner Mount Bracket
Compatible With	STAX100WG4 STAX200WG4



Product Code	<b>PARX-UBKT</b>
SAP Code	2002579
Type	Pole U Bracket To Suit PARX HUB
Compatible With	PARX <sup>G2</sup> (all models)



Product Code	<b>PARX-ADJ-SQBKT</b>
SAP Code	2002585
Type	Adjustable Bracket
Compatible With	PARX <sup>G2</sup> (all models)



Product Code	<b>PARX-SPIGOT</b>
SAP Code	2002407
Type	60mm Spigot Adaptor
Compatible With	PARX <sup>G2</sup> (all models)



Product Code	<b>PARX-ADJ-SPIGOT</b>
SAP Code	2002166
Type	76mm OD Adjustable Spigot
Compatible With	PARX <sup>G2</sup> (all models)

# Accessories

## MOUNTING SUPPORTS



Product Code	<b>PARX-HUB</b>
SAP Code	2002578
Type	4-Way 76mm OD Pole Adaptor
Compatible With	PARX <sup>52</sup> (all models)



Product Code	<b>PARX-HUB-RND</b>
SAP Code	2002584
Type	Square Pole Adaptor
Compatible With	PARX <sup>52</sup> (all models)

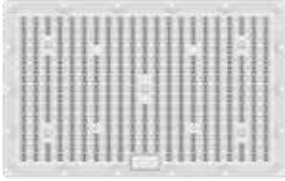
## SHIELDS



Product Code	<b>PARX75W-SHIELD</b>	<b>PARX150W-SHIELD</b>	<b>PARX200W-SHIELD</b>
SAP Code	2002392	2002393	2002394
Type	Spill Light Shield	Spill Light Shield	Spill Light Shield
Compatible With	PARX75W-AS-4K	PARX150W-AS-4K	PARX200W-AS-4K

Product Code	<b>PARX300W-SHIELD</b>
SAP Code	2002395
Type	Spill Light Shield
Compatible With	PARX300W-AS-4K

**LENSES**



<b>Product Code</b>	<b>PARX75W-LENS-T3</b>	<b>PARX150W-LENS-T3</b>	<b>PARX200W-LENS-T3</b>
<b>SAP Code</b>	2002384	2002385	2002386
<b>Type</b>	Type 3 Optic Lens	Type 3 Optic Lens	Type 3 Optic Lens
<b>Compatible With</b>	PARX75W-AS-4K	PARX150W-AS-4K	PARX200W-AS-4K

<b>Product Code</b>	<b>PARX300W-LENS-T3</b>
<b>SAP Code</b>	2002387
<b>Type</b>	Type 3 Optic Lens
<b>Compatible With</b>	PARX300W-AS-4K

<b>Product Code</b>	<b>PARX75W-LENS-SM</b>	<b>PARX150W-LENS-SM</b>	<b>PARX200W-LENS-SM</b>
<b>SAP Code</b>	2002388	2002389	2002390
<b>Type</b>	Symmetrical Optic Lens	Symmetrical Optic Lens	Symmetrical Optic Lens
<b>Compatible With</b>	PARX75W-AS-4K	PARX150W-AS-4K	PARX200W-AS-4K

<b>Product Code</b>	<b>PARX300W-LENS-SM</b>
<b>SAP Code</b>	2002391
<b>Type</b>	Symmetrical Optic Lens
<b>Compatible With</b>	PARX300W-AS-4K